

DE LA RUE
CASH SYSTEMS



DeLaRue



2650

Currency counting machine

Intelligent, high quality counter with enhanced counterfeit detection



2650

Currency counting machine

The intelligent top-of-the-range **2650** desktop currency counter provides multiple detection options for maximum flexibility.

High speed, efficient processing

The **2650's** high speed and superior feed mechanism ensures the ultimate in fast, efficient and reliable banknote processing. With throughput rates from 600 to 1500 notes per minute, the **2650** handles the widest range of note qualities with ease. Compact and robust, this machine is simple to use, incorporating an automatic start facility and a clear control panel.

Highest accuracy

De La Rue Cash Systems' unique patented Doubles Detect counting technology provides superior accuracy regardless of note condition and requires no operator adjustment.

Intelligent

All **2650** models can count by number of notes or value. There are six pre-set batch stops – non-standard batch sizes can be selected via the numeric keypad to suit individual requirements. The chosen configuration can then be saved in memory and restored when the counter is switched on, ensuring maximum efficiency. An RS232 port is standard on all Euro models to allow data transfer to PC or Remote Printer.

Range of options

Available with the following counterfeit or size detection options:
UV – checks banknote paper authenticity – nine sensitivity levels.
EMG – examines each note for the presence and properties of magnetic ink (US\$ only).
SD – identifies banknotes of different heights.
3D – identifies banknotes of different heights or lengths.

Euro detection

De La Rue has a full range of detection options for the Euro.
€ I – UV.
€ II – IRDS (Infra-Red Detection System).
Multiple detection system incorporating intelligent infra-red, foil detection and UV.
€ III – SMDS (Superior Magnetic Detection System).
€ III incorporates De La Rue's "Grade A" SMDS; the highest level of SMDS technology available in a De La Rue Banknote Counter.

As the cash solutions experts, over 2000 commercial banks, central banks and cash-in-transit companies already rely on De La Rue's solutions and expertise. Everyday, De La Rue's branch automation solutions enable 12 million transactions all over the world. From self-service automation solutions, teller assisted cash dispense and deposit systems, to banknote and coin counting/sorting equipment and cash management software, De La Rue offers a complete range of solutions for cash providers.

Technical specification

Document size range

100mm x 50mm to 190mm x 90mm

2650 3D

120mm x 50mm to 170mm x 90mm

2650+ (Euro models)

120mm x 50mm to 160mm x 90mm

Hopper capacity

500 notes

Stacker capacity

200 notes

Peak processing speed

1800 notes per minute

Throughput speed

600/1000/1200/1500 notes per minute (pre-set)

Batching capability

Six pre-set batches
(5, 10, 20, 25, 50, 100)

Variable via keypad

LCD display

Count - 5 digits/Batch - 3 digits

Power supply

98V - 264V AC, 50/60 Hz

Mean power rating

150W

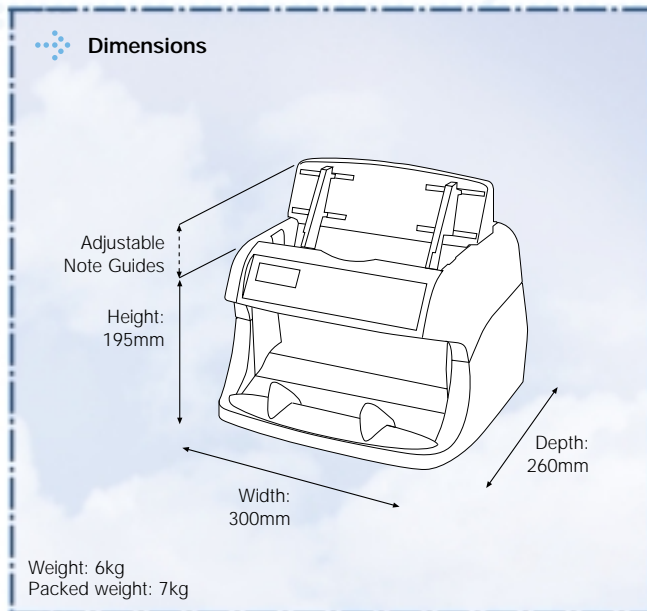
2650 Standard range

	2650	2650 SD	2650 UV	2650 SDUV	2650 SDUVEMG	2650 SDCMS	2650 UVEMGMS	2650 SDUVEMGMS	2650 3DUVMS	2650 3DUVEMGMS
Size detection - short edge		•	•	•	•	•	•	•	•	•
CFA Ultra Violet*			•	•	•	•	•	•	•	•
CFA Magnetic ink*				•	•	•	•	•	•	•
Size detection - long edge										
RS232 port						•	•	•	•	•

2650 Euro range

	2650 € I	2650 € II	2650 € III	2650 € I+	2650 € II+	2650 € III+
CFA € I*						
CFA € II*		•				
CFA € III*			•			
Size detection (height & length)				•	•	•
Value balancing				•	•	•
RS232 standard		•	•	•	•	•

* CFA counterfeit assistance



BSI
BS EN ISO 9001
FM 689

This leaflet is for general guidance only. De La Rue International Limited is pleased to give detailed specifications of its products in this leaflet. As the company's products and services are continually being developed it is important for customers to check that the information contained herein includes the latest particulars. This document is not part of a contract or licence save insofar as may be expressly agreed.



© De La Rue International Limited 2001, 2004

DE LA RUE
CASH SYSTEMS

De La Rue House
Jays Close
Viables
Basingstoke
RG22 4BS
www.delarue.com



DeLaRue